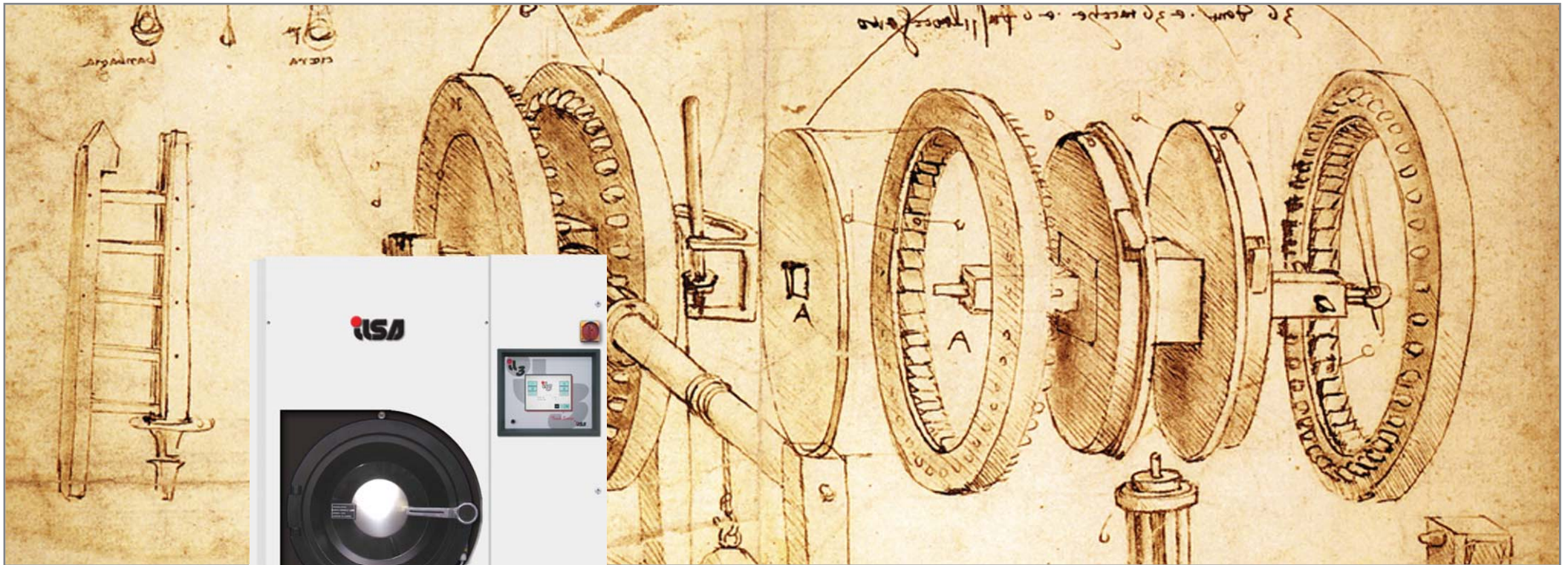




MEC MICRO 2.0





Mec Micro was born to strengthen its winning position in the segment of the small compacts. The new scheme develops and enhances the features of a machine which has the elements of a product of success in its DNA.

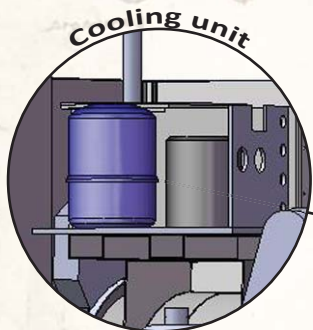
Extraordinary versatility, originated from the optimum interaction of the main components completely redesigned.

Energy efficiency, the result of rational management of the solvent in all the phases of process.

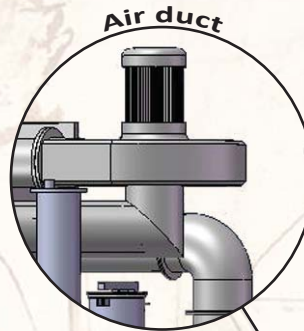
Simplicity and safety of the maintenances, result of a decennial experience supported by 3D designing.

Completely new, always Micro

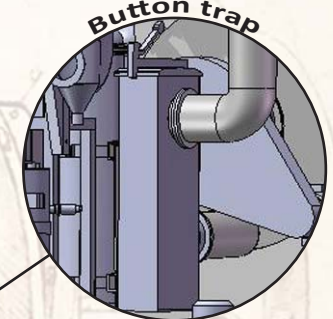
The technology...



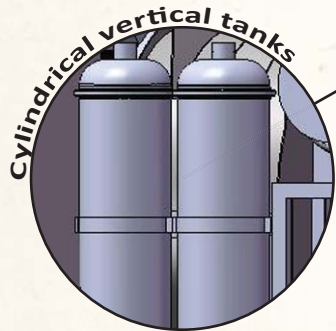
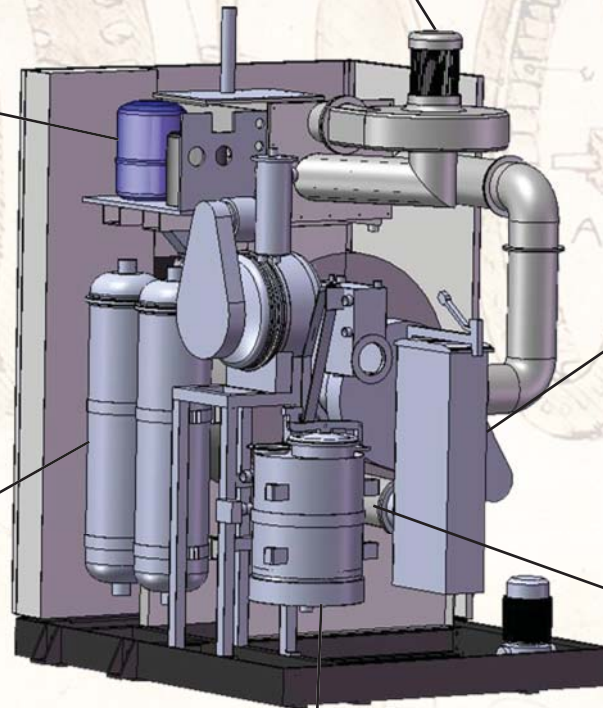
Cooling unit with additional heat pump, for reducing the consumption of energy and cooling water.



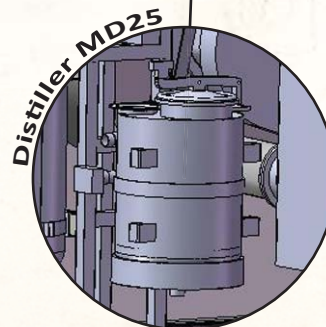
Drying circuit with high flow fan redesigned to improve the efficiency of the drying.



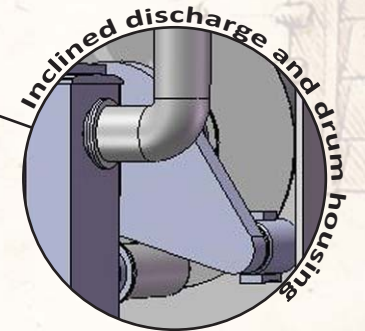
Filtering group to get optimum solvent/air circulation and complete residues drying.



Cylindrical vertical tanks made of stainless steel for an easy and efficient automatic cleaning during operation.



High power cylindrical distiller with discharge to the bottom to get easy empty out and cleaning.



Drum housing provided with big central discharge to rationalize solvent quantity and circulation thus preventing from dirt accumulation.

Technical data		200	240
Loading capacity (1:20)	kg	10	12
Drum			
Volume	l	200	240
Diameter	mm	800	800
Depth	mm	400	500
Loading door diameter	mm	500	500
Drum revolutions			
Clean std	min-1	45	45
Extraction max	min-1	450	450
Useful tank volume			
Tank 1	l	40	40
Tank 2	l	40	40
Distillator			
Working volume still	l	25	25
Spin filter			
Filter volume	l	30	30
Solvent load			
Load	l	110	110
Weight			
Empty weight	kg	950	1000
Dimensions			
Width	mm	1300	1300
Depth	mm	1550	1550
Height	mm	2092	2092
Height for entry	mm	1900	1900
Electrical power			
Solvent pump	kW	0,56	0,56
Fan	kW	0,75	0,75
Cooling compressor	kW	3,2	3,2
Motor with inverter	kW	2,2	2,2
Spin filter motor	kW	0,55	0,55
Still heating (opt.)	kW	1,9	1,9
Electric adsorption			
Steam model	A	11	11
Electric model	A	20	20
Connections			
Electric		3x400 V3/N/PE-50Hz	
Steam		1/2" - 4,5 bar - 150°C	
Water		3/4" - 1,5 bar - 25°C max	
Compressed air		1/4" - 6 bar	

Printed in Italy - 06/2013



Via C. Bassi, 1 - 40015 San Vincenzo di Galliera (BO) - Italy
 Tel. 051/815154 - Fax 051/812697 - www.ilsa.it - e-mail: info@ilsa.it



Dry Cleaning Machines & More